

MAESTRO HYPERSCALE ORCHESTRATOR

140 | 170



Check Point Maestro brings scale, agility and elasticity of the cloud on premise with efficient N+1 clustering based on Check Point HyperSync technology, maximizing the capabilities of your existing security gateways. Create your own virtualized private-cloud premise by stacking multiple Check Point security gateways together. Group them by security feature set, policy or the assets they protect and further virtualize them with virtual systems technology. With the Maestro Hyperscale Orchestrator, businesses of all sizes can have cloud-level security on premise. Add compute to meet your needs using Maestro Web UI or RESTful APIs – all while minimizing the risk of downtime and maximizing your cost efficiency.



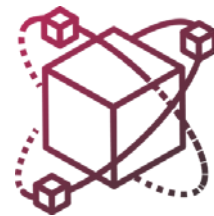
Security at Hyperscale

On demand expansion available to gateways of all sizes



Operational Supremacy

Opening up new simple ways to architect and manage cyber security



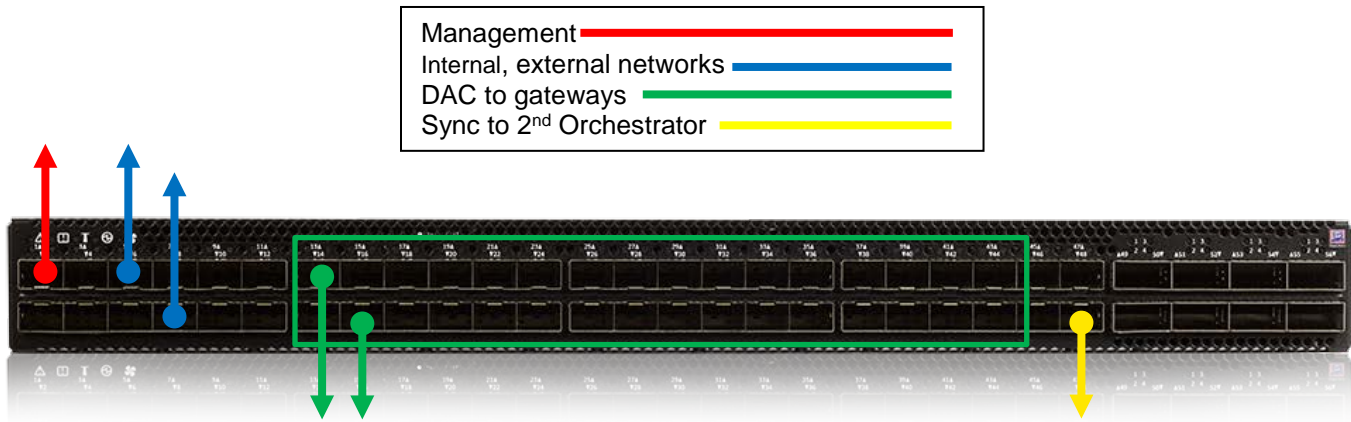
Cloud-Level Resiliency

Delivering the highest standard of resiliency with Telco-Grade Technology



Maestro Scalable Threat Prevention Throughput

MAESTRO HYPERSCALE ORCHESTRATOR



Maestro Hyperscale Security Orchestrator 140 Simple Connection Example

The Hyperscale Orchestrator 140 is a mid-range model with 48x 10GbE and 8x 100 GbE ports with a total fabric capacity of 2 to 4 Tbps. The Hyperscale Orchestrator 170 is a high-end model with 32x 100 GbE ports and a total fabric capacity of 3.2 to 6.4 Tbps.

For redundancy, deploy two Orchestrators of the same model together. Security Group members connect to the Orchestrator via Direct Attached Copper (DAC) cables, either 10, 40 or 100 GbE depending upon the gateway and Orchestrator models deployed. The Orchestrator's 300-nanosecond port-to-port latency deliver predictable wire speed performance with no packet loss for any packet size.

Maestro Hyperscale Orchestrator



	MHO 140	MHO 170
Fabric Capacity	4 Tbps	6.4 Tbps
Latency	300 nsec port to port	300 nsec port to port
Ports	48x 10GbE and 8x 100 GbE	32x 100 GbE
Enclosure	1RU	1RU
Standard Dimensions (W x D x H)	17.24' 'x 17' x 1.72", 438 x 436 x 43.8mm	16.84' 'x 27' x 1.72", 427.83 x 686 x 43.8mm
Weight	18.8lb (8.52kg)	24.5lb (11.1kg)
Power Input	100-127 VAC, 200-240VAC, 50-60Hz	100-127 VAC, 200-240VAC, 50-60Hz
Single Power Supply Rating	165W	150W
Dual Power Supplies	Included	Included
Airflow	Front to Back	Front to Back
Safety/Emissions/Environment	UL60950-1, CB IEC60950-1 , CE LVD EN60950-1 / FCC, IC, CE, VCCI, RCM/C-Tick / RoHS, WEEE, REACH , *ISO14001	

* Factory certificate

SECURE YOUR EVERYTHING™

SPOTLIGHT ON MANAGEMENT

SECURITY GROUPS

With Maestro, you can dynamically allocate or deallocate compute resources within and between Security Groups to meet your needs. Security Groups are logical groups of appliances providing active/active cluster functionally segregated from other Security Groups. Each Security Group has dedicated internal and external interfaces and may have a different configuration set and policy, e.g. Next Generation Firewall protecting a data center or Next Generation Threat Prevention providing perimeter protection.

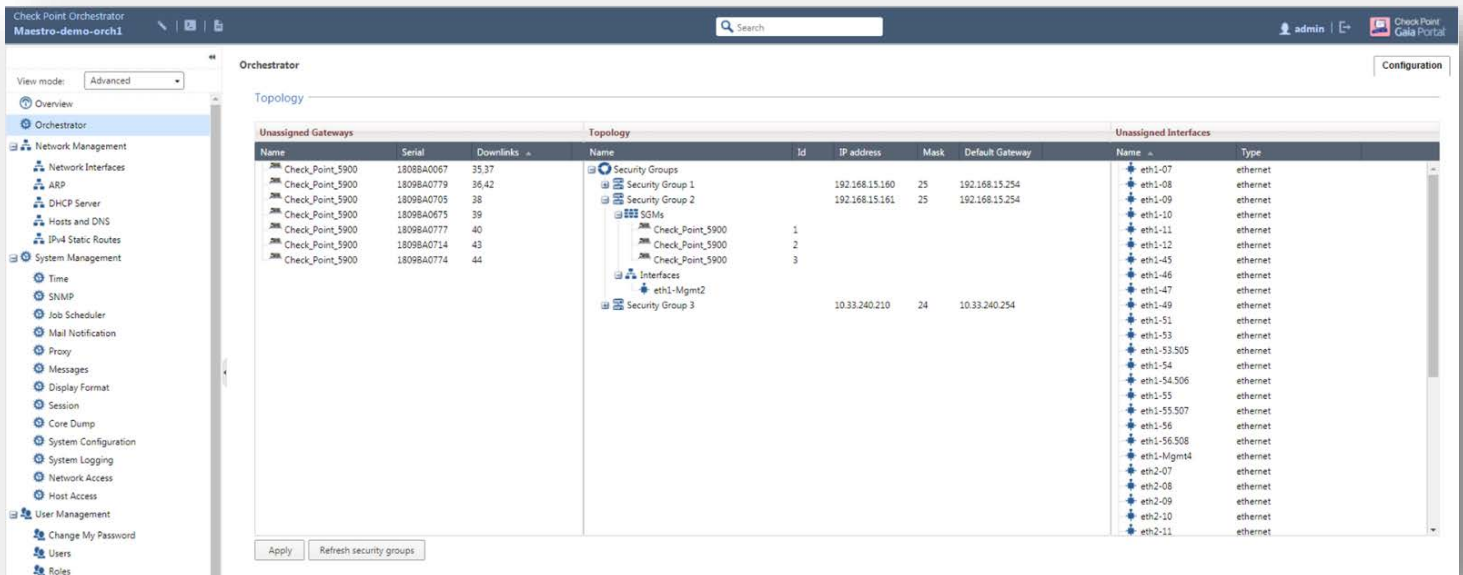
SINGLE MANAGEMENT OBJECT (SMO)

Externally a Security Group is seen as one security gateway or VSX gateway object in the Check Point security management GUI client, SmartConsole. A single IP address per Security Group for management communications and policy install simplifies Security Group management. All configurations, e.g. interfaces or IP addresses and routes are mirrored on gateways in the Security Group. Prior to becoming an online member and actively handling traffic each new member of the Security Group synchronizes its image, software configuration and security policy with the SMO of the Security Group.

SECURITY SOFTWARE

Maestro members run R80 SP, the latest version of the field-tested and proven software that was first introduced in 2012 on our Check Point chassis security systems and now integrated into our R80 main train release. The security feature set includes Next Generation Threat Prevention (NGTP) to protect you from known threats and SandBlast Zero-day Threat Protection to protect you from the unknown and zero-day threats. All Check Point Quantum security appliances in the Maestro solution include zero-day threat prevention for one year.

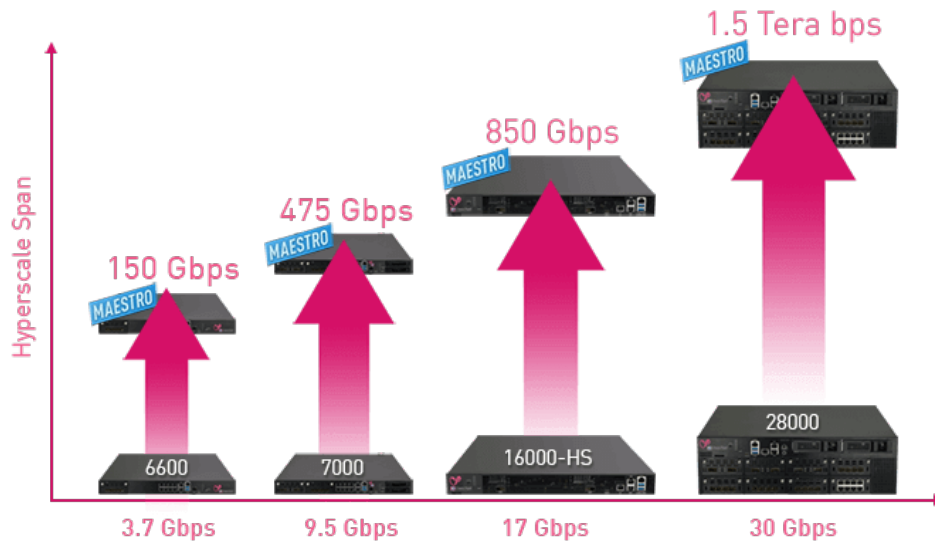
With R80 SP, you can monitor and manage the Maestro security fabric with a web browser connection to the management interface of the Maestro Orchestrator. Easily see the state of the gateways and the overall performance of your Security Group members. Do advanced configuration such as setting up network bonds, image management and system optimization.



Maestro web browser User Interface (UI)

SECURE YOUR EVERYTHING™

SPOTLIGHT ON SCALABILITY

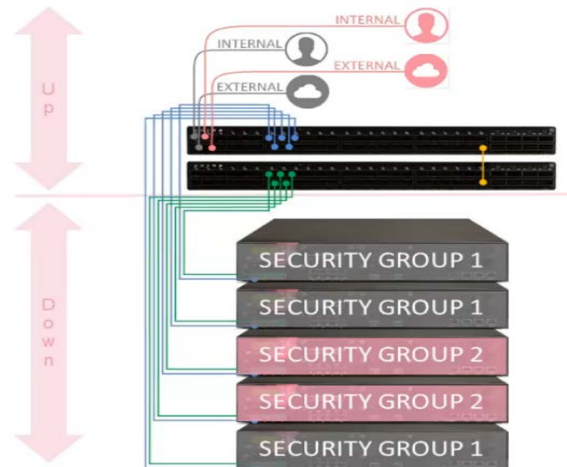


Hyperscale Security System

With Maestro, you can start with two gateways and then can grow to up to 52 gateways. For example, when you start with 35.2 Gbps using two 16600HS gateways you can finish with an 850 Gbps security solution that supports over 500 million concurrent connections. Simply by using Check Point Maestro.

Hyperscale Orchestrator Connections

When a Security Group is created, an IP address is created for a Single Management Object connection to the security management server. Easily create and assign IP addresses to the internal and external network interfaces. These uplinks are the visible components of the Maestro security solution.



Fully Operational within Minutes

When we add a gateway to the system, it gets all the configurations, the policy, even the software version, updated and aligned with the existing deployment, ready to go within 6 minutes.

Maestro Traffic Distribution

HyperSync tracks the Active/Standby/Backup state of group members. Sync traffic is limited to only the Active and Standby members handling the connection.

Cost-Efficient N+1 Deployments

Now businesses of all sizes can enjoy cloud-level resiliency and telco-grade technology using the efficient Maestro N+1 clustering design.

SECURE YOUR EVERYTHING™

SPECIFICATIONS

Maestro Scalability				
	6200	6600	7000	16600
Threat Prevention (Gbps)	up to 90	up to 185	up to 475	up to 850
Security Groups		up to 8 Security Groups		
Gateways in a Security Group		up to 31		
Dual Site Deployment Security Groups		up to 24 gateways, from each site		

Appliance Comparison				
Enterprise Testing Conditions	6200	6600	7000	16600
Threat Prevention (Gbps) ¹	1.8	3.7	9.5	17.6
NGFW Throughput (Gbps) ²	3.72	6.2	22	30
IPS Throughput (Gbps)	4.65	10.14	25	42
Firewall (Gbps)	9	18	39	87
Ideal Testing Conditions				
Firewall Throughput (Gbps)	17.55	32	76.8	117
VPN Throughput (Gbps)	2.57	4.9	11.9	17
Connections Per Second (K)	67	116	330	375
Concurrent Sessions (M) ³	8	8	16	32
Additional Features				
CPUs/physical cores/virtual cores	1/2/4	1/6/6	1/16/32	2/24/48
SSD Size	240 GB	240 GB	480 GB	480 GB
Physical				
Enclosure	1U	1U	1U	1U

Note: additional Maestro solution configurations are available in the product catalog.

Content Security

First Time Prevention Capabilities

- CPU-level, OS-level and static file analysis
- File disarm and reconstruction via Threat Extraction
- Average emulation time for unknown files that require full sandbox evaluation is under 100 seconds
- Maximal file size for Emulation is 100 MB
- Emulation OS Support: Windows XP, 7, 8.1, 10

Applications

- Use 8,000+ pre-defined or customize your own applications
- Accept, prevent, schedule, and apply traffic-shaping

Data Loss Prevention

- Classify 700+ pre-defined data types
- End user and data owner incident handling

Dynamic User-based Policy

- Integrates with Microsoft AD, LDAP, RADIUS, Cisco pxGrid, Terminal Servers and with 3rd parties via a Web API
- Enforce consistent policy for local and remote users on Windows, macOS, Linux, Android and Apple iOS platforms

Network

Network Connectivity

- Total physical and virtual (VLAN) interfaces per appliance: 1024/4096 (single gateway/with virtual systems)
- 802.3ad passive and active link aggregation
- Layer 2 (transparent) and Layer 3 (routing) mode

High Availability

- Active/Active L2, Active/Passive L2 and L3
- Session failover for routing change, device and link failure

IPv6

- NAT66
- CoreXL, SecureXL

Unicast and Multicast Routing (see SK98226)

- OSPFv2, BGP, RIP
- Static routes, Multicast routes
- Policy-based routing
- PIM-SM, PIM-DM, IGMP v2, and v3

SECURE YOUR EVERYTHING™

ORDERING MAESTRO HYPERSCALE ORCHESTRATOR

MAESTRO HYPERSCALE SOLUTION PACKAGES	SKU
Maestro Solution with 2x 16600HS firewalls and 1x Orchestrator (MHO-170), includes SandBlast (SNBT) Security Subscription Package for 1 Year. Each appliance includes 2x 1GbE copper on-board, 2x 100GbE QSFP28 ports, 2x AC PSUs, 1x 480GB SSD, 128 GB RAM, plus 2x 100 G DAC cables (3m, 3m). MHO-170 includes 1x 100 G DAC (3m).	CPAP-SG16602-HS-MHS-SNBT
Maestro Solution with 3x 16600HS firewalls and 1x Orchestrator (MHO-170), includes SandBlast (SNBT) Security Subscription Package for 1 Year. Each appliance includes 2x 1GbE copper on-board, 2x 100GbE QSFP28 ports, 2x AC PSUs, 1x 480GB SSD, 128 GB RAM, plus 2x 100 G DAC cables (3m, 3m). MHO-170 includes 1x 100 G DAC (3m).	CPAP-SG16603-HS-MHS-SNBT
Maestro Solution with 2x 7000 Plus firewalls with SandBlast subscription package for 1 year and one Orchestrator (MHO-140). Each appliance includes 32 GB RAM, 10x 1GbE copper on-board, 4x 10GbE fiber, 2x AC PSU, 2x 480GB SSD, LOM, plus 2x 10G DAC cables (1m, 3m). MHO-140 includes 1x 10G DAC (3m).	CPAP-MHS-7002-PLUS-SNBT
Maestro Solution with 3x 7000 Plus firewalls with SandBlast subscription package for 1 year and 1x Orchestrator (MHO-140). Each appliance includes 32 GB RAM, 10x 1GbE copper on-board, 4x 10GbE fiber, 2x AC PSU, 2x 480GB SSD, LOM, plus 2x 10G DAC cables (1m, 3m). MHO-140 includes 1x 10G DAC (3m).	CPAP-MHS-7003-PLUS-SNBT
Maestro Solution with 2x 6600 Plus firewalls with SandBlast subscription package for 1 year and 1x Orchestrator (MHO-140). Each appliance includes 6 GB RAM, 10x 1GbE fiber, 2x AC PSUs, 1x 240 GB SSD, LOM, plus 2x 10G DAC cables (1m, 3m). MHO-140 includes 1x 10G DAC (3m).	CPAP-MHS-6602-PLUS-SNBT
Maestro Solution with 3x 6600 Plus firewalls with SandBlast subscription package for 1 year and 1x Orchestrator (MHO-140). Each appliance includes 6 GB RAM, 10x 1GbE fiber, 2x AC PSUs, 1x 240 GB SSD, LOM, plus 2x 10G DAC cables (1m, 3m). MHO-140 includes 1x 10G DAC (3m).	CPAP-MHS-6603-PLUS-SNBT
Maestro Solution with 2x 6200 Plus firewalls with SandBlast subscription package for 1 year and 1x Orchestrator (MHO-140). Each appliance includes 16 GB RAM, 10x 1GbE copper on-board, 4x 10GbE fiber, 2x AC PSUs, 1x 240 GB SSD, LOM, plus 2x 10G DAC cables (1m, 3m). MHO-140 includes 1x 10G DAC (3m).	CPAP-MHS-6202-PLUS-SNBT
Maestro Solution with 3x 6200 Plus firewalls with SandBlast subscription package for 1 year and 1x Orchestrator (MHO-140). Each appliance includes 16 GB RAM, 10x 1GbE copper on-board, 4x 10GbE fiber, 2x AC PSUs, 1x 240 GB SSD, LOM, plus 2x 10G DAC cables (1m, 3m). MHO-140 includes 1x 10G DAC (3m).	CPAP-MHS-6203-PLUS-SNBT

SECURITY GATEWAY APPLIANCES FOR SCALE-UP	SKU
16600HS firewall, SandBlast subscription for one year. Each appliance includes 2x 1GbE copper on-board, 2x 100GbE QSFP28 ports, 2x AC PSUs, 1x 480GB SSD, 128 GB RAM, plus 2x 100 G DAC cables (3m, 3m).	CPAP-SG16600-HS-MHS-SNBT
7000 firewall with SandBlast subscription package for 1 year. Each appliance includes 32 GB RAM, 10x 1GbE copper on-board, 4x 10GbE fiber, 2x AC PSU, 2x 480GB SSD, LOM, plus 2x 10G DAC cables (1m, 3m).	CPAP-SG7000-PLUS-MHS-SNBT
6600 firewall with SandBlast subscription for 1 year. Each appliance includes 6 GB RAM, 10x 1GbE fiber, 2x AC PSUs, 1x 240 GB SSD, LOM, plus 2x 10G DAC cables (1m, 3m).	CPAP-SG6600-PLUS-MHS-SNBT
6200 firewall with SandBlast subscription for 1 year. Each appliance includes 16 GB RAM, 10x 1GbE copper on-board, 4x 10GbE fiber, 2x AC PSUs, 1x 240 GB SSD, LOM, plus 2x 10G DAC cables (1m, 3m).	CPAP-SG6200-PLUS-MHS-SNBT

MAESTRO HYPERSCALE ORCHESTRATORS	SKU
Maestro Hyperscale Orchestrator 140 with 8x 100 GbE and 48x 10 GbE ports, plus 1x 10G DAC (3m).	CPAP-MHO-140
Maestro Hyperscale Orchestrator 170 with 32x 100 GbE ports, plus 1x 100 G DAC (3m).	CPAP-MHO-170

MAESTRO HYPERSCALE ORCHESTRATORS ACCESSORIES	SKU
Fan replacement for Maestro Hyperscale Orchestrator 170	CPAC-FAN-MHO170
Fan replacement for Maestro Hyperscale Orchestrator 140	CPAC-FAN-MHO140
AC power supply unit replacement for Maestro Hyperscale Orchestrator 140 and 170, with front to back airflow	CPAC-PSU-AC-MHO140/170
Rail kit for Maestro Hyperscale Orchestrators 140 and 170	CPAC-RAIL-MHO140/170
QSFP+ splitter for 40G fiber ports for Maestro (MHO140 & MHO170) – 3 meter	CPAC-TR-40SPLIT-QSFP-3M
QSFP+ splitter for 40G fiber ports for Maestro (MHO140 & MHO170) – 6 meter	CPAC-TR-40SPLIT-QSFP-6M

SECURE YOUR EVERYTHING™

ORDERING MAESTRO (continued)

DIRECT ATTACH COPPER (DAC) CABLES	SKU
100G QSFP28 Direct Attach Copper (DAC) cable, 1 meter	CPAC-DAC-100G-1M
100G QSFP28 Direct Attach Copper (DAC) cable, 3 meters	CPAC-DAC-100G-3M
100G QSFP28 Direct Attach Copper (DAC) cable, 5 meters	CPAC-DAC-100G-5M
40G QSFP+ Direct Attach Copper (DAC) cable, 1 meter	CPAC-DAC-40G-1M
40G QSFP+ Direct Attach Copper (DAC) cable, 3 meters	CPAC-DAC-40G-3M
25G SFP28 Direct Attach Copper (DAC) cable, 1 meter	CPAC-DAC-25G-1M
25G SFP28 Direct Attach Copper (DAC) cable, 3 meters	CPAC-DAC-25G-3M
10G SFP+ Direct Attach Copper (DAC) cable, 1 meter	CPAC-DAC-10G-1M
10G SFP+ Direct Attach Copper (DAC) cable, 3 meters	CPAC-DAC-10G-3M

All-inclusive Security

	NGFW	NGTP	SNBT (SandBlast)
	Basic access control	Prevent known threats	Prevent known and zero-day attacks
Firewall	✓	✓	✓
VPN (IPsec)	✓	✓	✓
IPS	✓	✓	✓
Application Control	✓	✓	✓
Content Awareness	✓	✓	✓
URL Filtering		✓	✓
Anti-Bot		✓	✓
Anti-Virus		✓	✓
Anti-Spam		✓	✓
SandBlast Threat Emulation			✓
SandBlast Threat Extraction			✓

Each gateway requires a license for the enabled security feature. The first year purchase includes the SNBT package. Security subscription extensions, NGFW, NGTP and SNBT are available for subsequent years.